



## Instruction Manual for Flip Mirror

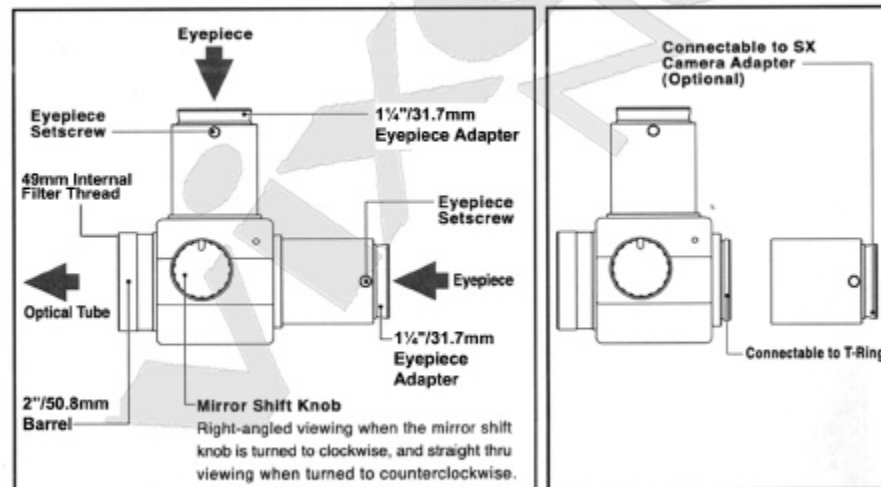


**Vixen North America**  
<http://www.VixenAmerica.com>  
32 Elkay Dr., Chester, NY 10918, USA  
Phone 845-409-8600  
(9 a.m. and 5 p.m. ET Mon - Fri)

**Vixen Co., Ltd.**  
<http://www.vixen.co.jp>  
5-17-3 Higashi-Hokorozawa, Tokorozawa, Saitama 359-0021, Japan  
Phone +81-4-2944-4141 (International)  
Fax +81-4-2944-9722 (International)

**Vixen Europe GmbH**  
<http://www.vixen-europe.com>  
Siemensring 44c, D-47877 Willich, Germany  
Phone 02154/8165-0  
Fax 02154/8165-29

### Diagram of Flip Mirror



### How to Use the Flip Mirror

The flip mirror permits shifting between two 1 1/4" eyepieces with the flip of the wrist. Either eyepiece adapter unscrews to reveal T-threads for imaging. The flip mirror is especially convenient for centering an object before switching the light-path for imaging. An optional SX Camera Adapter enables eyepiece projection imaging with a 35mm SLR, DSLR or other T-thread mountable camera. The 2" barrel is thread for 49mm filters. Available 49mm-to-48mm step-down-ring allows standard 48mm imaging filters to be used.\* Refer to the diagram below for a variety of connection options.

\*Due to variations in filter tolerance, it may be necessary to remove the 2" eyepiece adapter from your telescope's drawtube and precede as follows: secure 2" eyepiece adapter onto flip mirror 2" barrel, thread the filter onto the 2" barrel and then reinsert the whole assembly into the telescope drawtube.

# Optional Photographic Accessories

